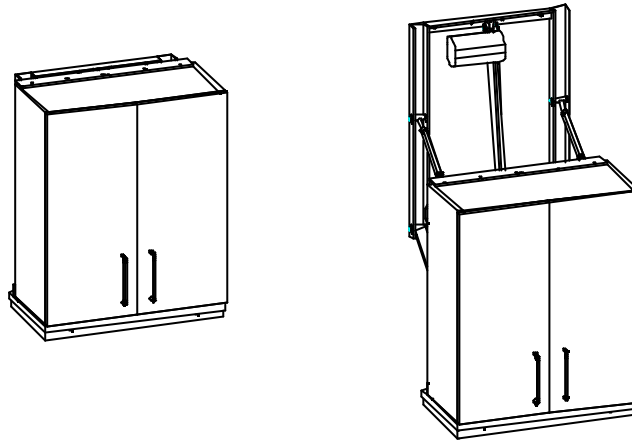


## Product Information for KitFrame Diagonal



### KitFrame Diagonal wall units

Wall units with cabinet heights ranging from 70 to 80 cm may be used  
Option for cabinet heights ranging from 55-60 cm.

By means of the KitFrame Diagonal the height of the wall units may be adjusted by 42 cm. At the same time the unit will be moved 18 cm forward, so that objects placed at the back of the wall units will be within reach of the seated user.

The wall units are adjusted electrically in a smooth, sliding movement.

The section is available in modules of 40 to 180 cm in length, at intervals of 10 cm. Lengths from 40 to 130 cm have one motor, lengths above 130 cm have two motors. The depth of the frame is 11.5 cm, and the units are mounted directly on the frame without the use of backboards.

To ensure that the wall unit does not hit objects on the tabletop, it is recommended to mount a safety stop rail. If this rail comes in contact with an object, the height adjustment will stop immediately. The safety stop rail has been prepared for the installation of a lighting fixture.