



## VertiElectric

Electrical height adjustable frame for wall units

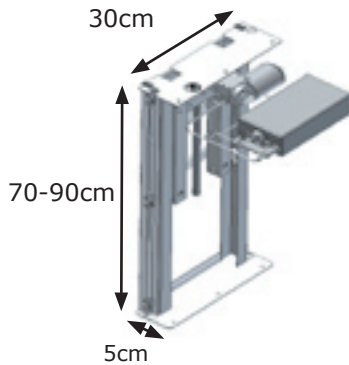
Ideal for sheltered housing

The frame is not visible in use

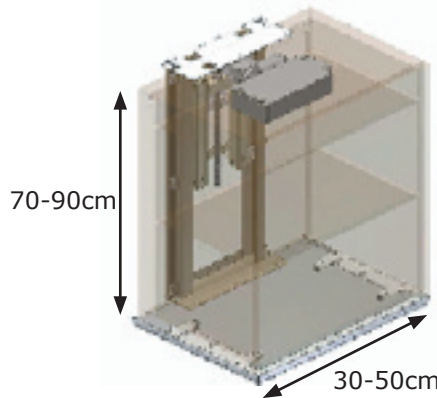
- This electric wall unit frame enables the user to reach items in a wall unit that otherwise would be impossible to reach.
- The system raises and lowers wall units 30cm vertically, simply by pushing a control switch, normally located in fascia below the worktop.
- The framework remains completely hidden throughout the movement.
- Only 5cm of extra projection is added to the wall units, so that there is still worktop space in front of the units at the low position.
- Two models of frames are made which can support wall units from 30 - 120cm.
- A safety stop plate can be fitted below the units to prevent the risk of trapping anything on the worktop below.
- Lights can be fitted in the safety stop plate to improve visibility.
- VertiElectric is ideal in private homes.

# VertiElectric

Frame for 30cm wall unit  
Item 30-40603



Unit sizes for 30cm VertiElectric



Standard Control  
Switch 6x3cm  
Delivered with the  
frame  
30-67840



## Accessories

Large Press Pad  
14x7cm  
30-67841



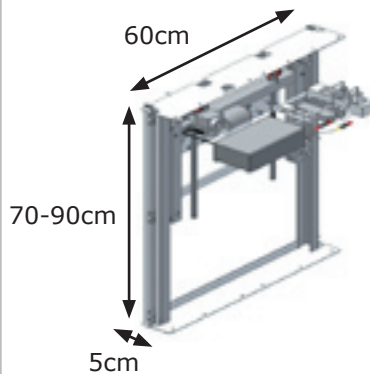
Infra Red Control  
30-67849



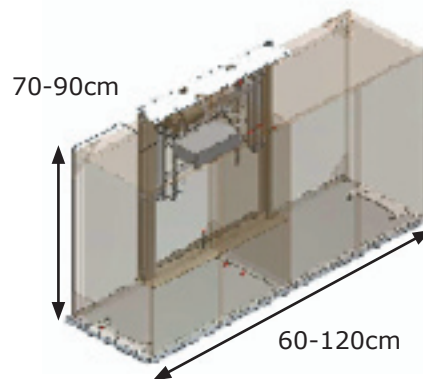
Safety Stop Plate  
30-416XX



Frame for 60cm wall unit  
Item 30-40606



Unit sizes for 60cm VertiElectric



## ROPOX Tips

- Allow a space of 3-5mms either side of the units for free movement.
- To line up adjacent fixed wall units space them off the wall by 5cm.
- The wall units should have a solid top and base.
- Smaller doors of 30/ 40cm may be easier to open at worktop height without having to step back.
- Consider the location of the control switch - if there is space below the worktop the fascia is normally best - if there are units below the VertiElectric, a remote control may be best.
- To prevent the risk of trapping we recommend installing a safety stop plate.
- 8mm bolts/ screws to suit the substrate should be used.
- Max. load on frames are 80kgms.



Front view of the frame



**ROPOX**  
BETTER WAYS TO BETTER DAYS

ROPOX A/S  
Ringstedgade 221  
DK-4700 Naestved  
Tel. +45 5575 0500  
Fax +45 5575 0550  
info@ropox.dk  
www.ropox.com